

TOP OF FRICTION MATERIAL AND DISC O.D. TO BE FLUSH

2.85 (72,4)  
MOUNT HEIGHT

.45 (11,4)  
MOUNT HOLE

3.50 (88,9)  
MOUNT CENTER

"A"  
BOLT CIRCLE RADIUS

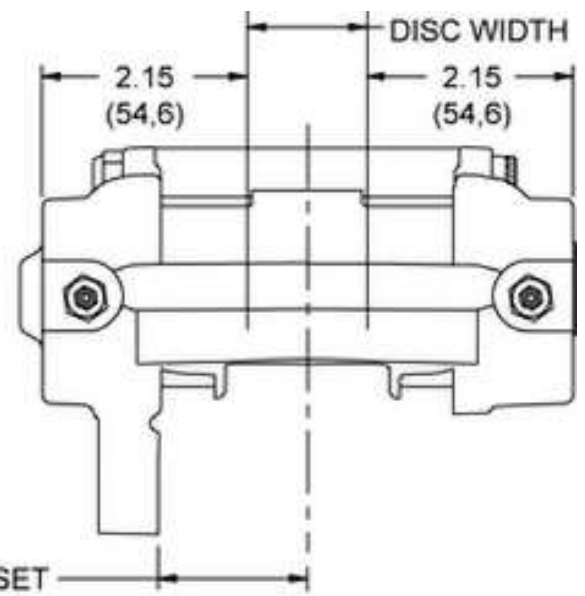
"E"  
OUTSIDE RADIUS

DISC/WHEEL CENTERLINE

"D1"

DIMENSION "D1" = (DISC DIAMETER/2) - 2.85 (72,4)

INLET FITTING: 1/8-27 NPT



"B" MOUNT OFFSET

DISC WIDTH

2.15 (54,6)

2.15 (54,6)

DISC WIDTH	"B" MOUNT OFFSET
1.25 (31,8)	1.56 (39,6)
1.10 (27,9)	1.46 (37,1)
.81 (20,6)	1.34 (34,0)

DISC DIAMETER	"A" BOLT CIRCLE RADIUS	"E" OUTSIDE RADIUS
11.75 (298,5)	3.50 (88,9)	6.69 (169,9)
12.19 (309,6)	3.69 (93,7)	6.85 (174,0)
12.72 (323,1)	3.92 (99,6)	7.05 (179,1)
12.88 (327,2)	4.00 (101,6)	7.12 (180,8)
13.00 (330,2)	4.05 (102,9)	7.18 (182,4)